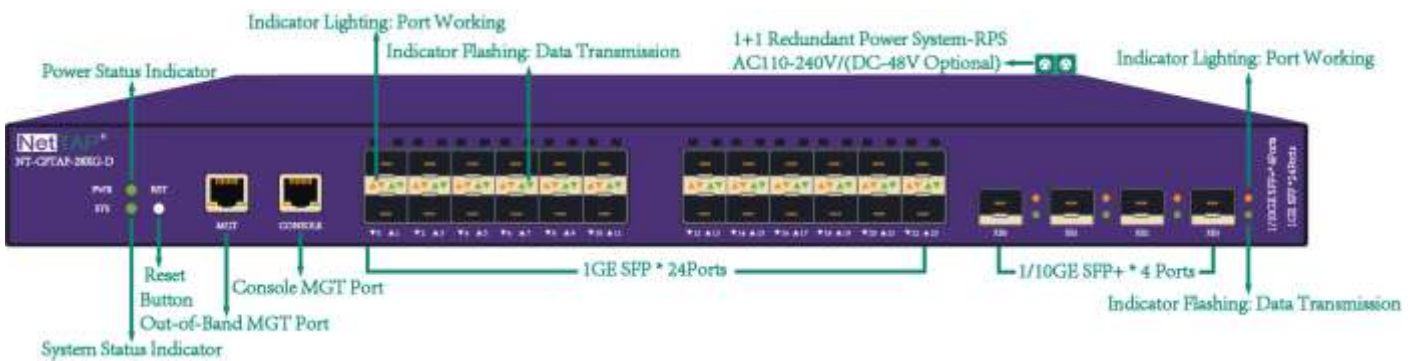
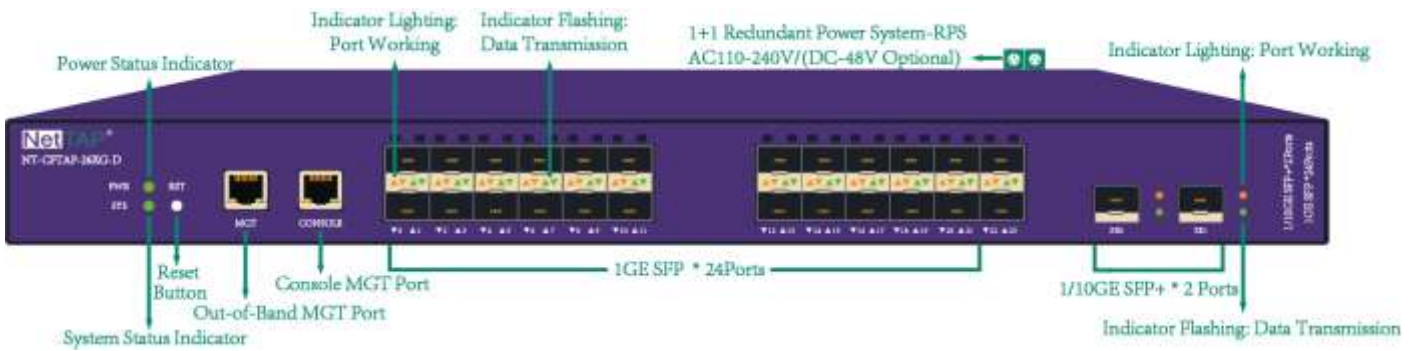


1- Overviews

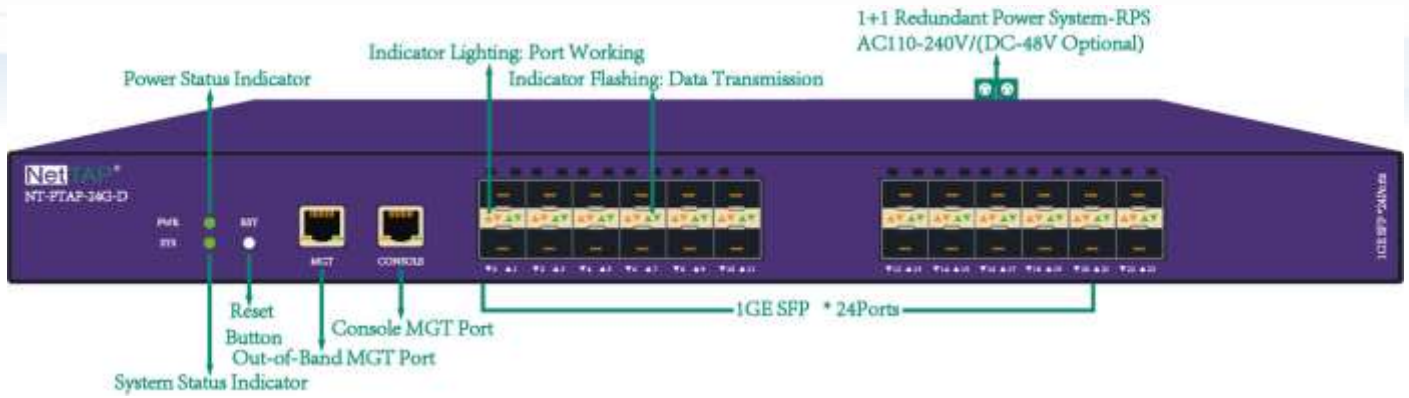
- ☞ A full visual control of Data Acquisition device(0/2/4*10GE SFP+ plus 24*GE SFP ports)
- ☞ A full Data Scheduling Management device(duplex Rx/Tx processing)
- ☞ A full pre-processing and re-distribution device(bidirectional bandwidth 64Gbps)
- ☞ Supported collection & reception of link data from different network element locations
- ☞ Supported collection & reception of link data from different switch routing nodes
- ☞ Supported raw packet collected, identified, analyzed, statistically summarized and marked
- ☞ Supported to realize irrelevant upper packaging of Ethernet traffic forwarding, supported all kinds of Ethernet packaging protocols, and aslo 802.1q/q-in-q, IPX/SPX, MPLS, PPTP, ISL, GRE, PPTP etc. protocol packaging
- ☞ Supported raw packet output for monitoring equipment of BigData Analysis, Protocol Analysis, Signaling Analysis, Security Analysis, Risk Management and other required traffic.



NT-CFTAP-28XG-D(above)

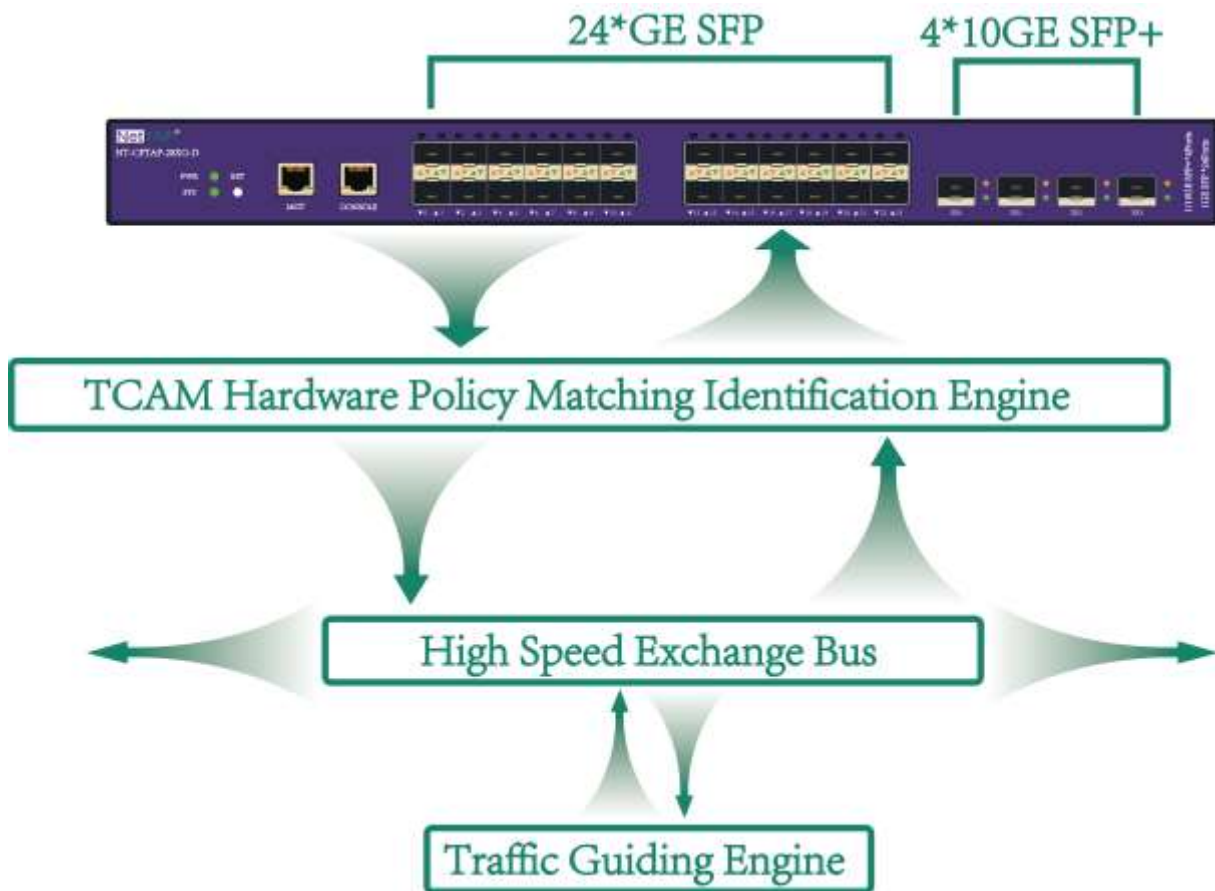


NT-CFTAP-26XG-D(above)

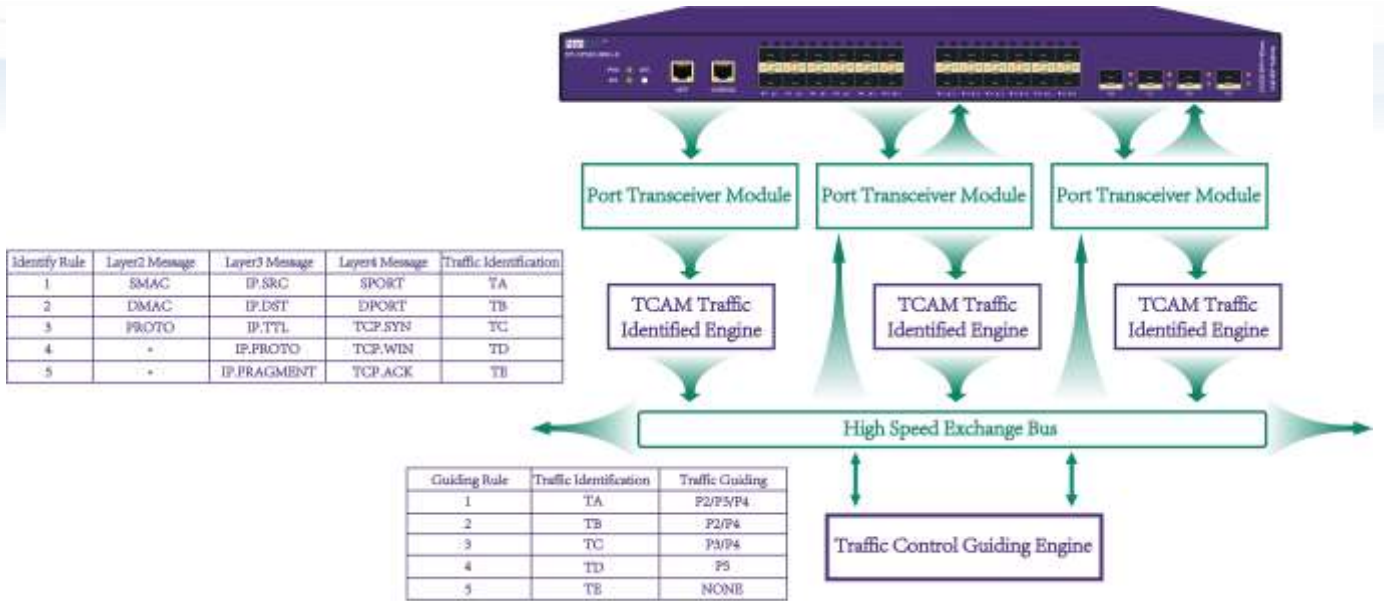


NT-FTAP-24G-D(above)

2- System Block Diagram



3- Operating Principle



4- Intelligent Traffic Processing Abilities



ASIC Chip Plus TCAM CPU
64Gbps intelligent traffic processing capabilities



10GE Acquisition
10GE 0/2/4 ports, Max 4*10GE plus 24*GE ports Rx/Tx duplex processing, up to 64Gbps Traffic Data Transceiver at same time, for network Data Acquisition, simple Pre-processing



Data Replication
Packet replicated from 1 port to multiple N ports, or multiple N ports aggregated, then replicated to multiple M ports



Data Aggregation
Packet replicated from 1 port to multiple N ports, or multiple N ports aggregated, then replicated to multiple M ports



Data Distribution

Classified the incoming metadata accurately and discarded or forwarded different data services to multiple interface outputs according to user's predefined rules.



Data Filtering

Supported L2-L7 packet filtering matching, such as SMAC, DMAC, SIP, DIP, Sport, Dport, TTL, SYN, ACK, FIN, Ethernet type field and value, IP protocol number, TOS, etc. also supported flexible combination of up to 2000 filtering rules.



Load Balance

Supported load balance Hash algorithm and session-based weight sharing algorithm according to L2-L7 layer characteristics to ensure that the port output traffic dynamic of load balancing



UDF Match

Supported the matching of any key field in the first 128 bytes of a packet. Customized the Offset Value and Key Field Length and Content, and determining the traffic output policy according to the user configuration



VLAN Tagged

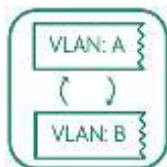
Supported the matching of any key field in the first 128 bytes of a packet. The user can customize the offset value and key field length and content, and determine the traffic output policy according to the user configuration.



VLAN Untagged



VLAN Replaced



MAC Address Replacement

Supported the replacement of the destination MAC address in the original data packet, which can be implemented according to the user's configuration

3G/4G Mobile Protocol Recognition/Classification

Supported to identify mobile network elements such as (Gb, Gn, IuPS, S1-MME, S1-U, X2-U, S3, S4, S5, S6a, S11, etc. interface). You can implement traffic output policies based on features such as GTPV1-C, GTPV1-U, GTPV2-C, SCTP, and S1-AP based on user configurations.



Ports Healthy Detection

Supported real-time detection of the service process health of the back-end monitoring and analysis equipment connected to different output ports. When the service process fails, the faulty device is automatically removed. After the faulty device is recovered, the system automatically returns to the load balancing group to ensure the reliability of multi-port load balancing.



VLAN, MPLS Untagged

Supported the VLAN, MPLS header in the original data packet is stripped and output.



Tunneling Protocol Identify

Supported automatically identify various tunneling protocols such as GTP / GRE / PPTP / L2TP / PPPOE. According to the user configuration, the traffic output strategy can be implemented according to the inner or outer layer of the tunnel



Unified Control Platform

Supported NetTAP® Matrix-SDN Visual Control Platform Access

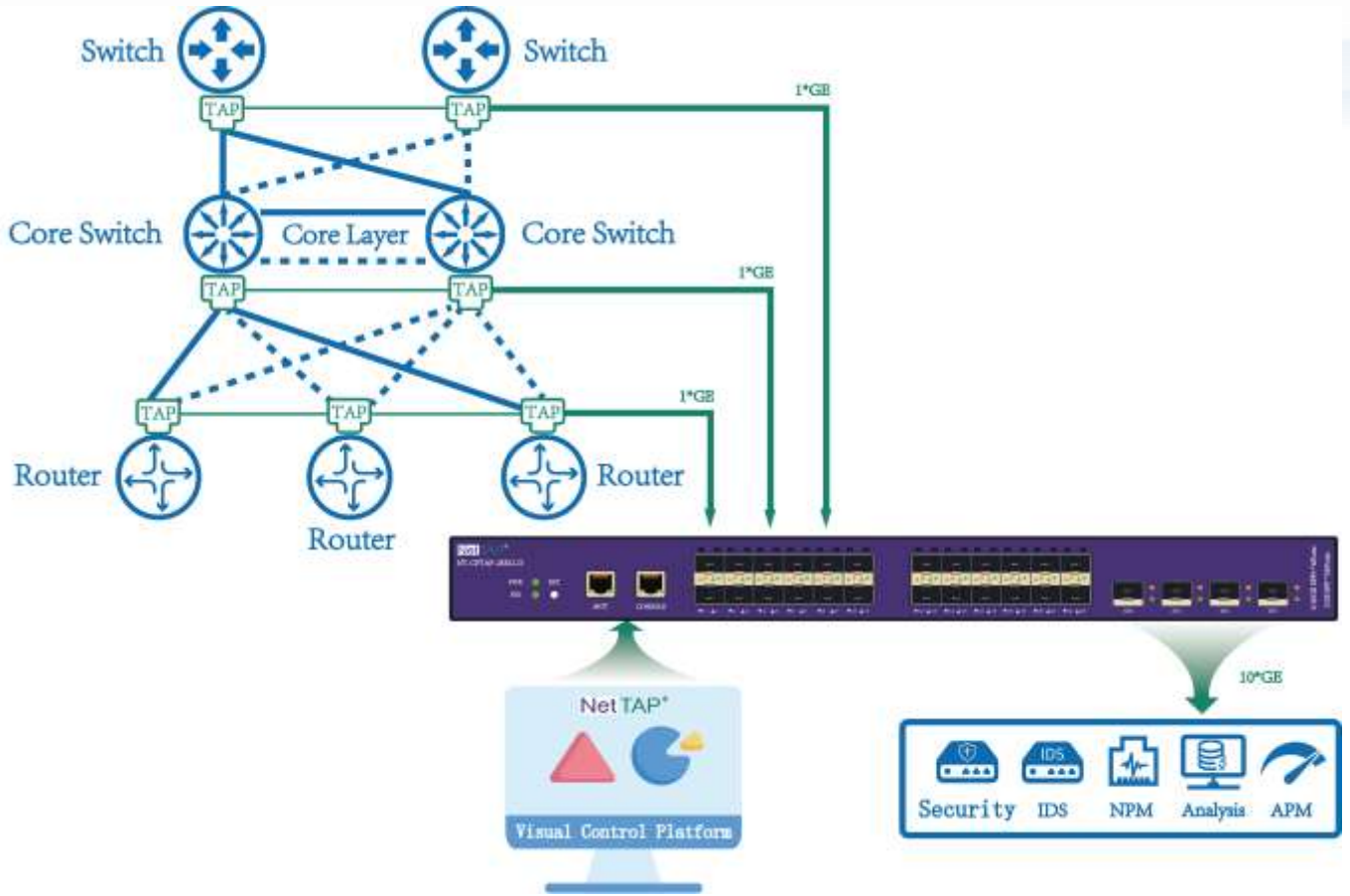


1+1 Redundant Power System(RPS)

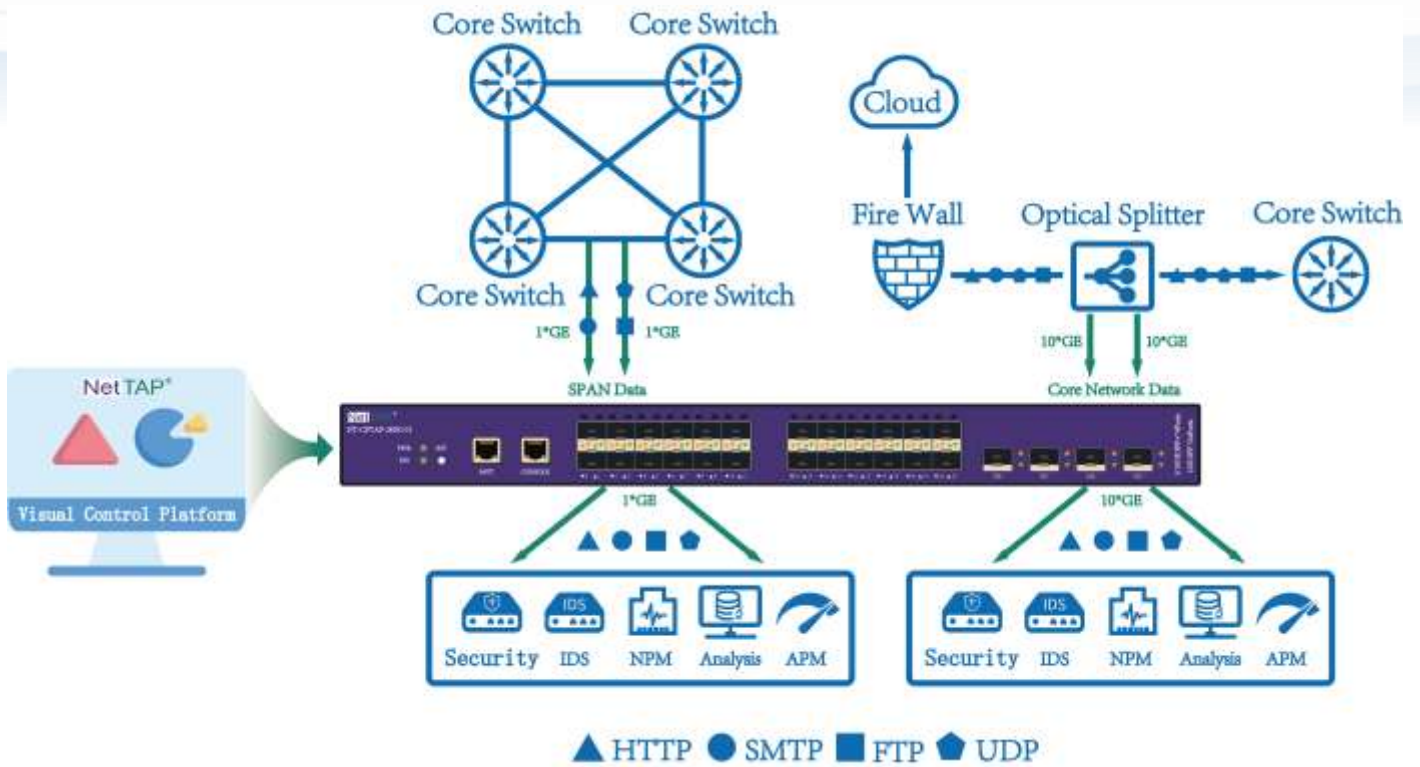
Supported 1+1 Dual Redundant Power System

5- Typical Application Structures

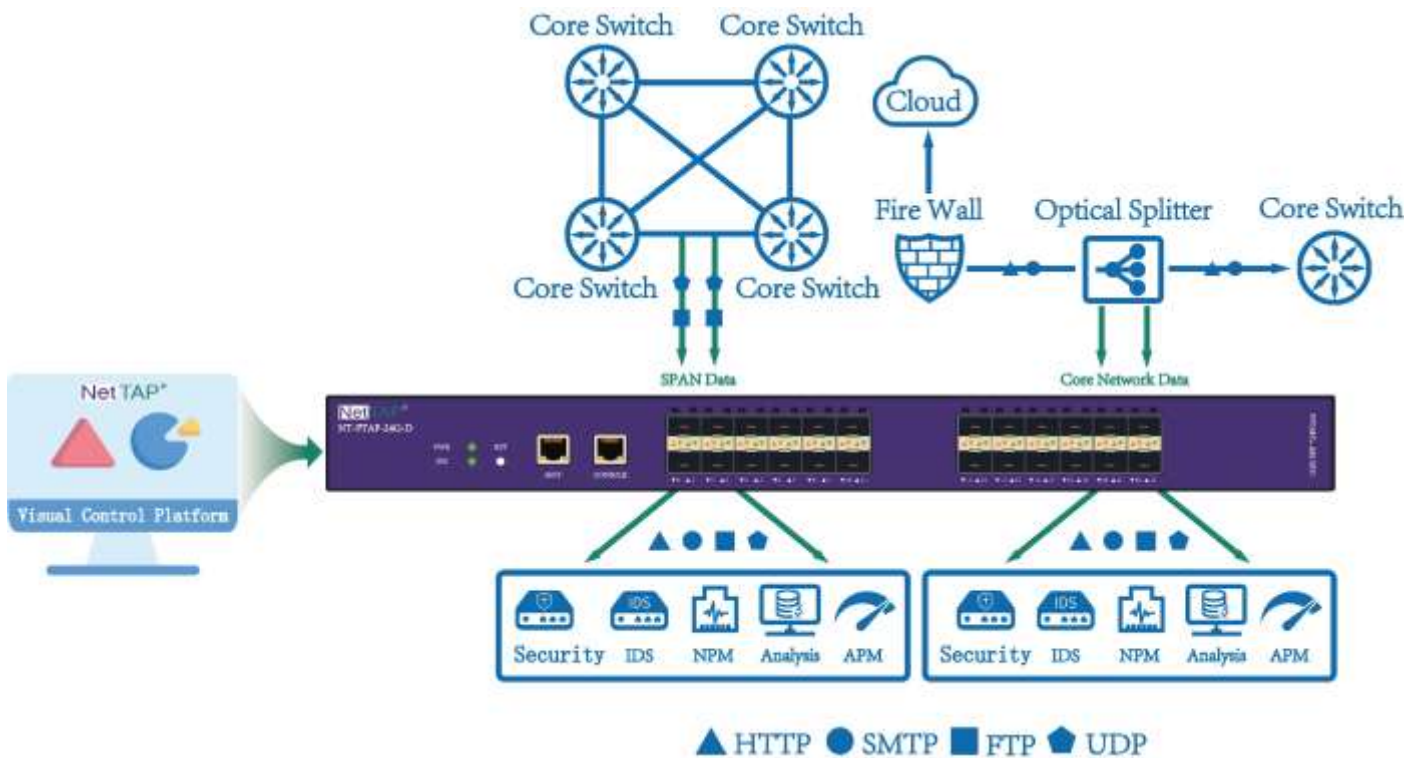
5.1 GE to 10GE Data Aggregation Application **26/28XG-D only** (as following)



5.2 1/10GE Data Distribution Application **26/28XG-D only** (as following)



5.3 Hybrid Acquisition Application (as following)

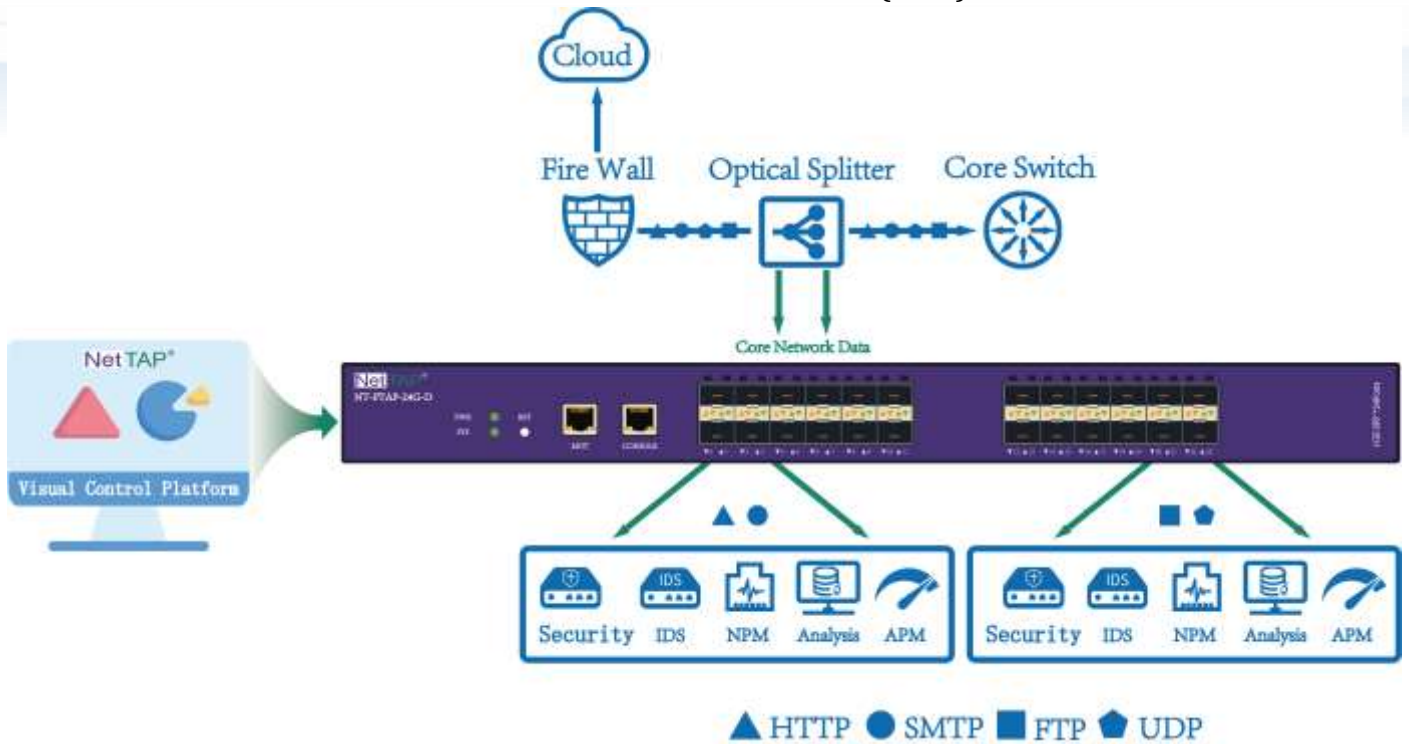


5.4 Customization Traffic Monitoring Application(as following)

Your Network Traffic Visual Control One-stop Provider *Specifications subject to change without notice*

2F, G4 of TianFu Software Park, Chengdu, China
 +86-136 7909 3866
 jerry@nettap.com.cn
 www.nettap.com.cn





6- Specifications

NT-CFTAP-24 26 28XG-D NetTAP® NPB Functional Parameters		
Network Interface	GE ports	24*GE SFP slots
	10GE ports	0/2/4*10GE SFP+ slots
Deployment mode	SPAN monitoring input	support
	In-line mode	support
	Total QTYs interface	24/26/28
	Traffic replication / aggregation / distribution	support
	Link QTYs supporting Mirror replication / aggregation	1 -> N link traffic replication (N < 24/26/28) N-> 1 link traffic aggregation (N < 24/26/28) G Group(M-> N Link) traffic replication and aggregation [G * (M + N) < 24/26/28]
Functions	Distribution based on traffic identification	support
	Distribution based on IP / protocol / port Five tuple traffic identification	support

NetTAP® Network Packet Broker (NPB)

NT-CFTAP-24 26 28XG-D

	Distribution strategy based on protocol header the key labeled traffic identifies	support
	Strategic distribution based on deep message content identification	support
	Support Ethernet encapsulation independence	support
	CONSOLE Network Management	support
	IP/WEB Network Management	support
	SNMP V1/V2C Network Management	support
	TELNET/SSH Network Management	support
	SYSLOG Protocol	support
	User authentication function	Password authentication based on user name
Electric(1+1 Redundant Power System-RPS)	Rated supply voltage	AC110-240V/DC-48V [Optional]
	Rated power frequency	AC-50HZ
	Rated input current	AC-3A / DC-10A
	Rated power function	150W(24XG: 100W)
Environment	Operating Temperature	0—50℃
	Storage Temperature	-20-70℃
	Operating Humidity	10%-95%, Non-condensing
User Configuration	Console Configuration	RS232 Interface, 9600,8,N,1
	Password authentication	support
Rack Height	Rack space (U)	1U 460mm*45mm*440mm

7- Order Information

NT-FTAP-24G-D	24*GE SFP ports
NT-CFTAP-26XG-D	24*GE SFP ports plus 2*10GE SFP+ ports
NT-CFTAP-28XG-D	24*GE SFP ports plus 4*10GE SFP+ ports